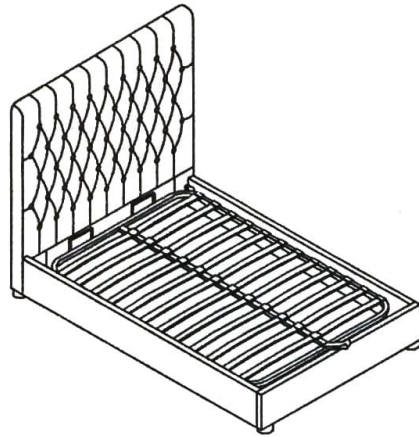





















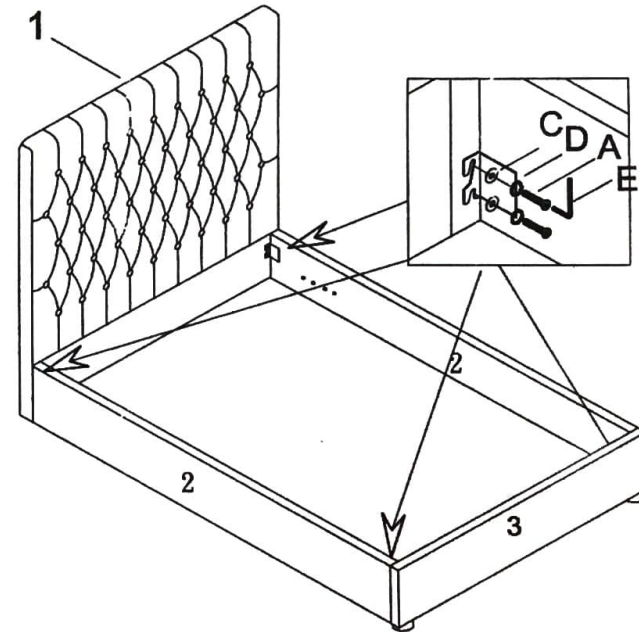
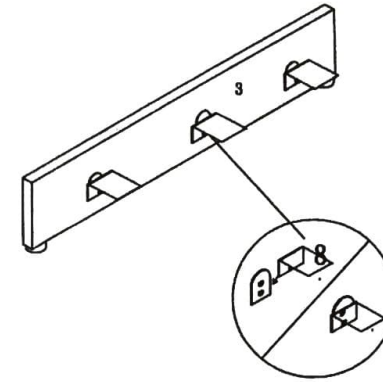
ONTARIO QUEEN SIZE STORAGE BED
EASTERN 1/2

ASSEMBLY INSTRUCTIONS
ITEM NO:MLM-170964 QUEEN&FULL

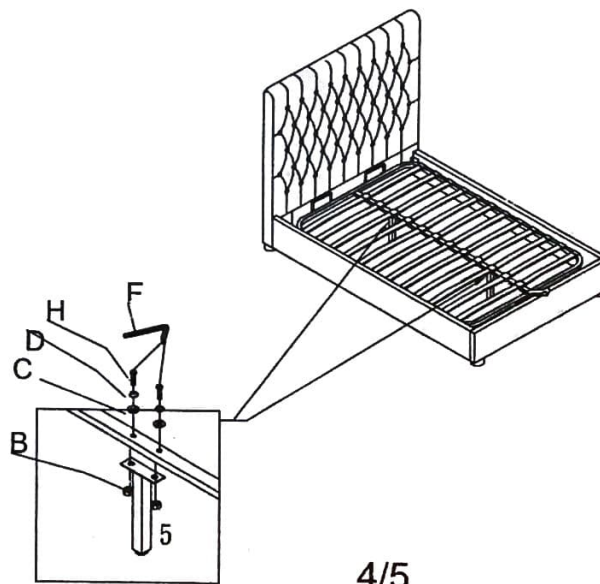
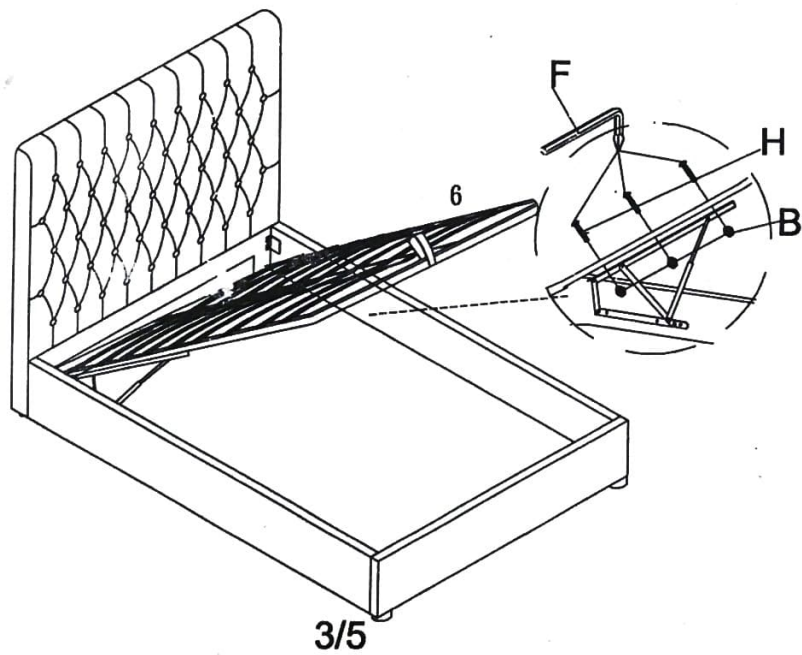
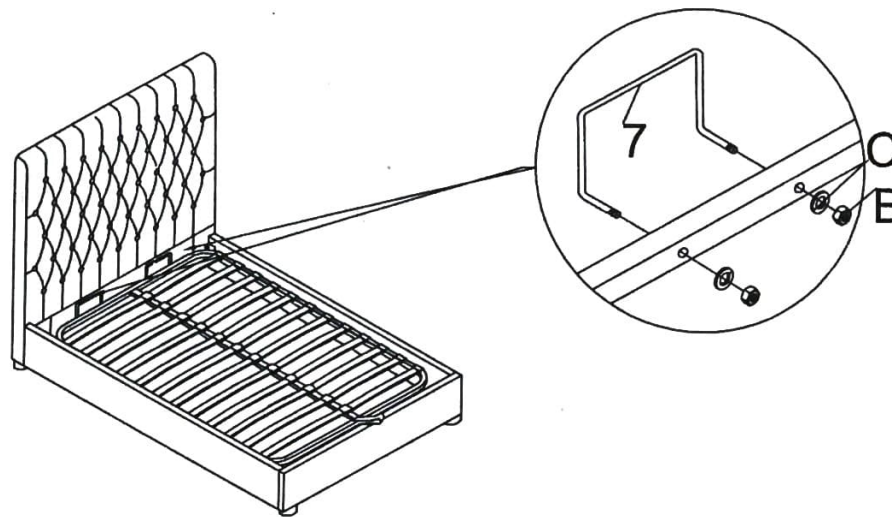
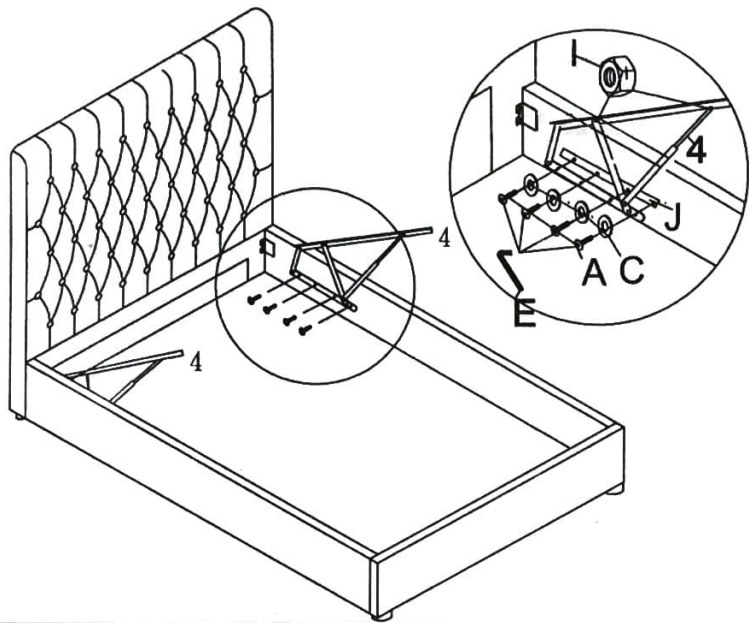


 1 Headboard 1PC	 2 Side rail 2PCS	 3 Footboard 1PC	 4 Air leg 2PCS	 5 Supporting leg 2PCS
 6 Slats 1PC	 7 Hand lever 2PCS	 8 Hanging piece 3PCS	 9 Bottom shelf 2PCS	
 A Bolt M8*38mm 16PCS	 B Nut M8 14PCS	 C Flat washer M8*19mm 24PCS	 D Spring washer M8*12mm 12 PCS	 E Allen key E 1PC
 F Screw driver 1PC	 G Box wrench 1PC	 H Bolt M8*50MM 10PCS	 I Nut M8 4PCS	 J Supporting block 2PCS

1/5



2/5



3/5

4/5

ONTARZO QUEEN SIZE STORAGE BED

ZAJERN 2/2

